

PUROJE MAI KULA DA BINCIKE – BINCIKE DON BUN\$ASA AYUKAN NOMA A
CIKIN FADAMMU NA CIKIN YANKIN SAHEL A JAMAHURIYAR NIJAR.
PUROJE MAI KULA DA \$ARFAFA \$ARHIN TAHIYAR DA AYUKKAN GINE – GINE
NA NOMAN RANI DA KUMA YADDA AKE TATTALIN SU.

Akwatin gidan waya : 27 Tawa

Talho : (+227) 20 610 017

Ministan gidan gona

Eungiyar \$asar Japon mai
kula da hula&ar \$asa da \$asa

Littahin bada bayani dangance da husa'ar gina
rijiyoyi na noman rani.

Eungiyar \$asar Japon mai kula da duk
abinda ya shahi arziki dangin tsawa

Wallafawa daga Puroje mai kula da \$arfafa \$arhin tahiyar da ayukkan
gine – gine na noman rani da kuma yadda ake tattalin su a cikin tsari
yarjejeniyar da EDOS.

Maris 2008

ABUBUWAN DA LITTAHIN YA EUMSA

GABATARWA.....	03
I. KAYAYYAKIN GINA RIJIYA DA SAURANSU	04
II. SAURAR WASU KAYAYYAKIN AIKI	08
III. WASU KAYAYYAKIN HA%I	09
IV. Adadin da ya kamata a yi aiki da shi (dozazi) wajen ha&i	09
V. Cikon bayanai.....	11

GABATARWA:

Wannan littahi na bada bayani dangance da yadda ake gina rijiyoyi na noman rani. an wallafa shi a cikin haɗin kan puroje mai kula da karfafa \$arhin tahiyar da ayukkan gine – gine na noman rani da kuma yadda ake tattalinsu da kuma EDOS.

An wallafa wannan littahi don Magina rijiyoyi da Mataimakansu.

I- KAYAYYAKIN GINA RIJIYA DA SAURANSU

1.1 Kayayyaki

1.1.1 Mulun bakin rijiya (0,5 zuwa 0,80 m)

Mulun bakin rijiya kala biyu ne:

- Mulu mai 0,50 m na tsanwo;
- Mulu mai 0,80 m na tsanwo kamar wannan da ake gani a wannan hoto.

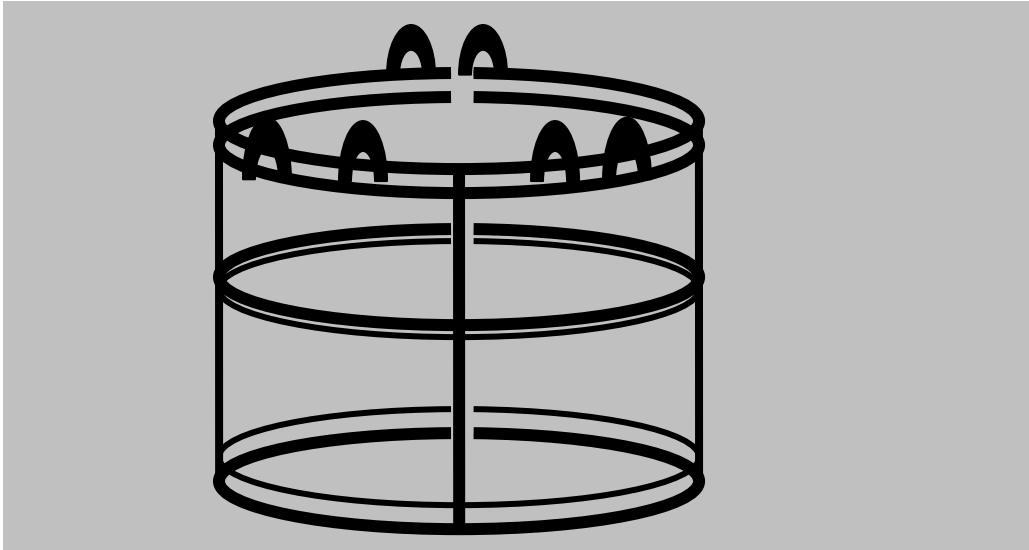


Mulu bakin rijiya mai tsanwo 0,80 m

1.1.2 Mulu mai yin &iya

Kala biyu suke:

- Mulu mai tsanwo m 0,50 wanda ake amfani da shi a wuri mai rairai;
- Mulu mai tsanwo m 1,0 wanda ka ke gani a wannan hoto.



&an rijiya

1.1.3 Mulun haƙo ruwa



Mulun haƙo ruwa mai tsanwon m 1

1.1.4 Jakin &iya (mulu)

Kala biyu ne:

- Akwai mai fa&i (irin na da);
- Akwai sabo mai kusoshi wanda ka ke gani a wannan hoto.



1.1.5 Mulu na dal na can ciki (sar\$ashi)

Kala biyu ne

- Akwai dal na ciki mai hudodi
- Akwai dal wanda ba ya da hudodi.

a) Dal na ciki

a-1 Dal mai hudodi

Ana amfani da dal mai hudodi lokacin da aka cimma ruwa idan wuri mai rairai ne.

a-2 Dal wanda ba ya da hudodi

Ana Amfani da shi lokacin da aka cimma ruwa idan wuri mai laka ne.

Dal mai hudodi

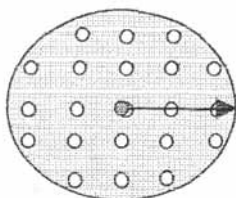


Figure 19

Hoto na 1

Dal wanda baya da hudodi

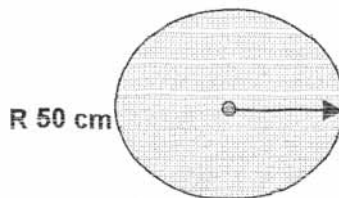
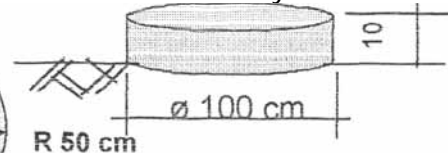


Figure 20

Hoto na 2

kwantamci yadda zai zamo

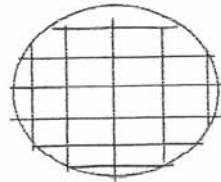


Dal iri biyu ne: dal mai hudodi da wanda ba ya da hudodi

- **Amfani da wayoyi**

Tsarin amfani da wayoyi duka iri &aya da yadda aka saba, ana shirùanta fer de 8 amma kar hudodi su wuce fa&in sentimetir 15 zuwa 20.

Hoto na 3: tsarin aiki da wayoyi



1.2. Kayayyakin kiyaya lahiya

1.2.1 Kayayyakin shiga da hitowar daga cikin rijiya (treuil)

Kayan shiga cikin rijiya na bada damar:

- Jayowar (huddowa) daga cikin rame;
- Shiga da hitowa daga cikin rijiya ga magina rijiya.



Abinda da ake zurawa wajen shiga da hitowa

1.2.2 Yaggiyar da ake amfani da ita wajen shiga rijiya wadda ke kiyaye lahiyar maishiga rijiya.

Yaggiya ce mai kare magini rijiya ga duk wani hatsari.

1.2.3 Hular kiyaye lahiya (kaski)

Tana karé wa&anda ke cikin rijiya ga wasu abubuwar da ke iya kubcewa su fa&a kansu a cikin rami.

1.2.4 Butalin iska na kirki wanda muke sha\$awa

Ana tanadin wannan irin iska saboda kiyayye rishin wadataccen iskan sha\$awa a cikin rami

1.2.5 Takin safa na hannu

Suna kariya wajen kiyaye jimuwar hannuwa ga magina rijiyo.

II. SAURAR WASU KAYAYYAKIN AIKI

Sune :

- Almakashi 1 na katsar wayoyi na biton;
- Tenayi 1 don guntar waya da matse \$ulli na waya da aka yi;
- Bambara 2 don ginar rijiya;
- Marto 1 babba don fashe dutse;
- Babban kile (clef à grille) 6/8 mai bada damar a matse kofaraji ko kuma don a matse sosai \$usoshi ko kuma in ana son a bayye su.
- Kile 22 don a matse ko bayye \$usoshin da ke game &iyar haƙo ruwa ta farko da jakinsu;
- Nibo 1 na magini rijiya don daidaita rami;
- Dubul metir 1 don auna mizani fa&i ko tsanwo;
- Regil 1 ta magini;
- Buros 1 don kakkaùa dau&a da ke jikin mulu;
- Kwasa 2 don gina;
- Tano 1 ƙamti;
- Bokiti 1 na &ibar ruwa;
- ƙusoshi mizani 22 don ha&a &iya tsakaninsu da kuma tsakaninsu da jakinsu;
- Koshiyar shahi 1.



Kayayyakin magini rijiya

III. WASU KAYAYYAKIN HA%I

Sune :

- Sumunti CPA 325 ko CPJ 45 ;
- Earfe fer de 8 amma an hi son T8;
- Earfe fer de 6 amma an hi so T6;
- Waya;
- Tsakuwa;
- Rairai mai kyau;
- Ruwa.

IV. Adadin da ya kamata a yi aiki da shi (dozazi) wajen ha&i

4-1 Dozazi ga kowane sako sumunti

Dozozin da ya kamata	Sumunti (sako)	Tsakuwa (burweti)	Rairai (burweti)
Bakin rijiya na 80x20 kg 350 / m3	1	2	1
Bakin rijiya na 50x20 kg 350 / m3	1	2	1
&armu na waje kg 350 / m3	1	2,5	1,25
&a kg 350 / m3	1	2,5	1,5
&armu na tsaka kg 350 / m3	1	2,5	1,25
&a mai ha\$o ruwa kg 400 / m3	1	2	1
Jakin &iya kg 400 / m3	1	2	1
Dal na can ciki kg 400 / m3	1	1	0,5

4-2 Dozazi ga kowane sako 1 na sumunti

Mizani (adadi)	Sumunti (sako)	Tsakuwa (burweti)	Rairai (burweti)	\$arhe fer T8 (guda)	\$arhe fer T6 (guda)
Bakin rijiya na 80x20 kg 350 / m3	6	13,5	7	28	5
Bakin rijiya na 50x20 kg 350 / m3	4	8,5	4,5	28	4
&armu na waje kg 350 / m3	8	18,5	10	28	4
&a kg 350 / m3	3	8	4	28	6
&armu na tsaka kg	8	18,5	10	28	4

350 / m ³					
&a mai ha\$o ruwa kg 400 / m ³	3	6	3	22	7
Jakin &iya kg 400 / m ³	2	4	2	22	2
Dal na can ciki kg 400 / m ³	1	1	0,5	7	7

V. Cikon bayanai :

Rijiya mai hawa biyu ta \$umshi ùangare ukku mahimmai:

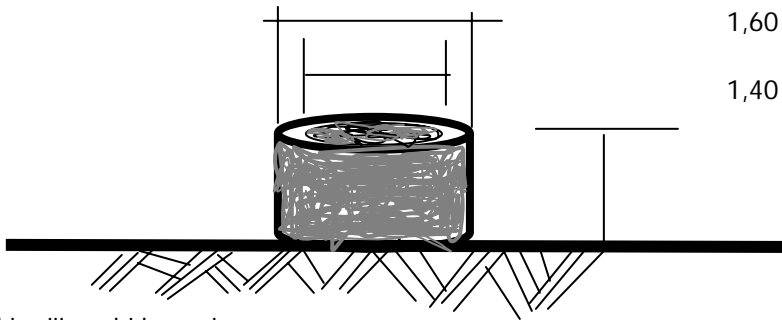
Rijiya mai hawa biyu irin ta noman rani ta ùangare ukku

Bakin rijiya

Bangare na farko tun kahin a kai ga ruwa

Bangare na biyu na hako ruwa in an cimma ruwa

Bakin rijiya : hoto 1



Tsawo daga sentimetir 50 zuwa 80

Bakin rijiya shi ke waje

Wanda ake gani kimani tsawonshi

Shine sentimetir 50 zuwa 80

Kabranta sentimetir 20 zuwa 40

fa&inta na ciki metir 1,40 na waje

ko 1,60 dozazinta kg 350/m³

Rame rijiya : hoto 2

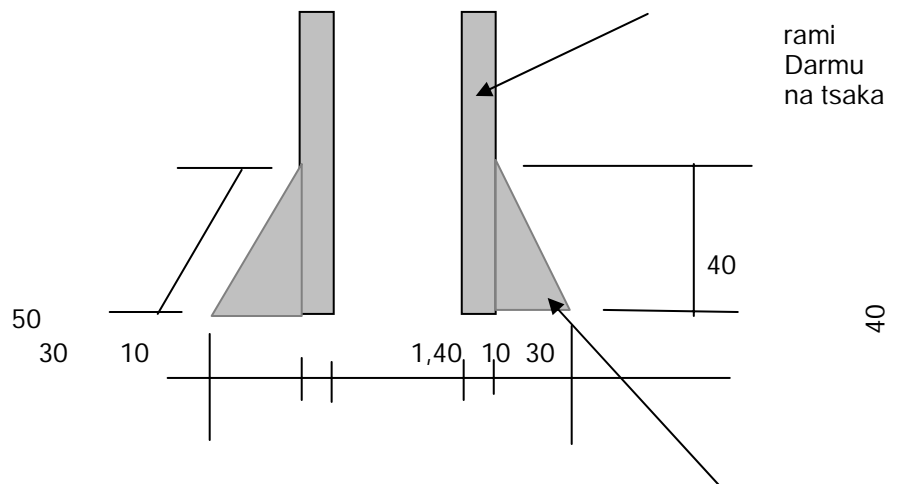
Rami ne wanda daga waje ya yi ciki amma fa&inshi bai kai ga na bakin rijiya ba

Misali in bakin rijiya na m 1,80 to shi m 1,60.

fa&in ba ya wuce m 1,40 idan ramin rijiya

Ya kai m 10 kop kuma idan an kai Æarshe.

Lokacin nan sai a yi &armu na saka

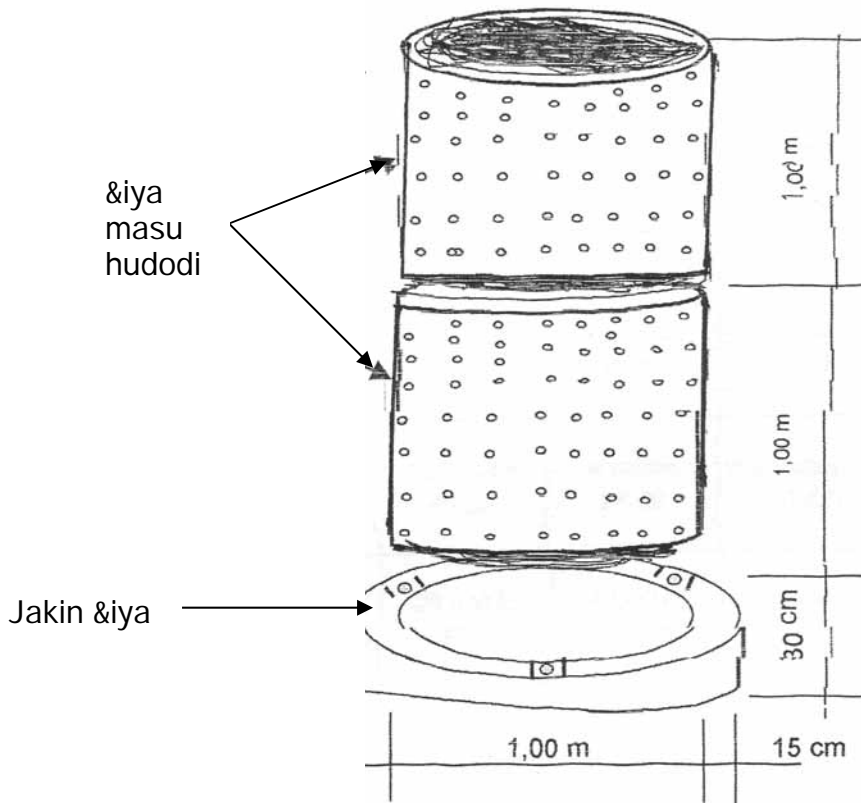


Dozozin &armun tsaka shine

Kg 350 /m³

Wurin ha\$o ruwa : hoto

Ta Æumshi &iya masu hudodi wa&anda a waje aka yi su kahin a sa su cinkin rijiya. A saman jakin &iya za su hau shi ma mai hudodi ne



a) &a mai hudodi

fa&in &a mai hudodi a \$alla m 1 ne in dai na ciki ne;
 Fa&inshi na waje m 1,20;
 Kabrinshi sentimetir 10;
 Tsawonshi m 1
 Hudodi sama suke dubawa;
 Dozazinta kg 400/m³

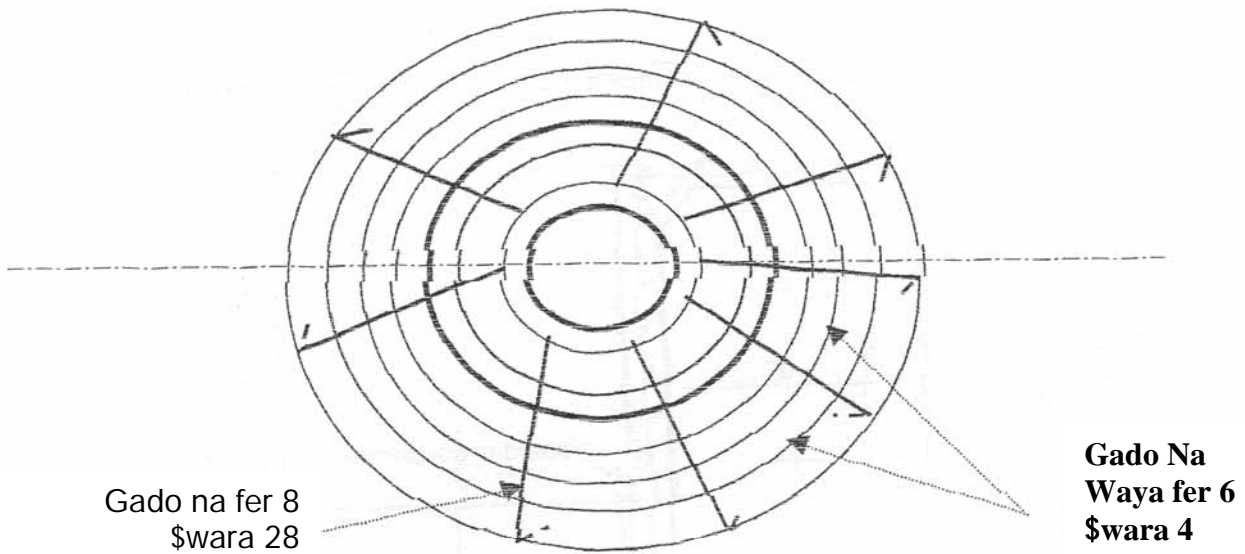
b) Jakin &iya

bisan shi ne duka &iya masu ha&o ruwa suke hawa. fa&inshi na ciki m 1
 ne na waje ko m 1,30, gabrinshi sentimetir 15, tsanwonshi sentimetir 30,
 dozazinshi kg 400/m³

c) Dal na can ciki (inda ya cancanta)

Dal na ciki ana yin ne cikin rijiya inda akwai rairai saboda maganin
 sabkwar rairai. Fa&inshi m 1 ne, kabrinshi setimetir 10 dozazinshi kg
 350/m³.

Hoto na 5 : Yadda ake na&a wayoyi don yin zubin sumuntin bakin rijiya
 da saurar &armu na wa



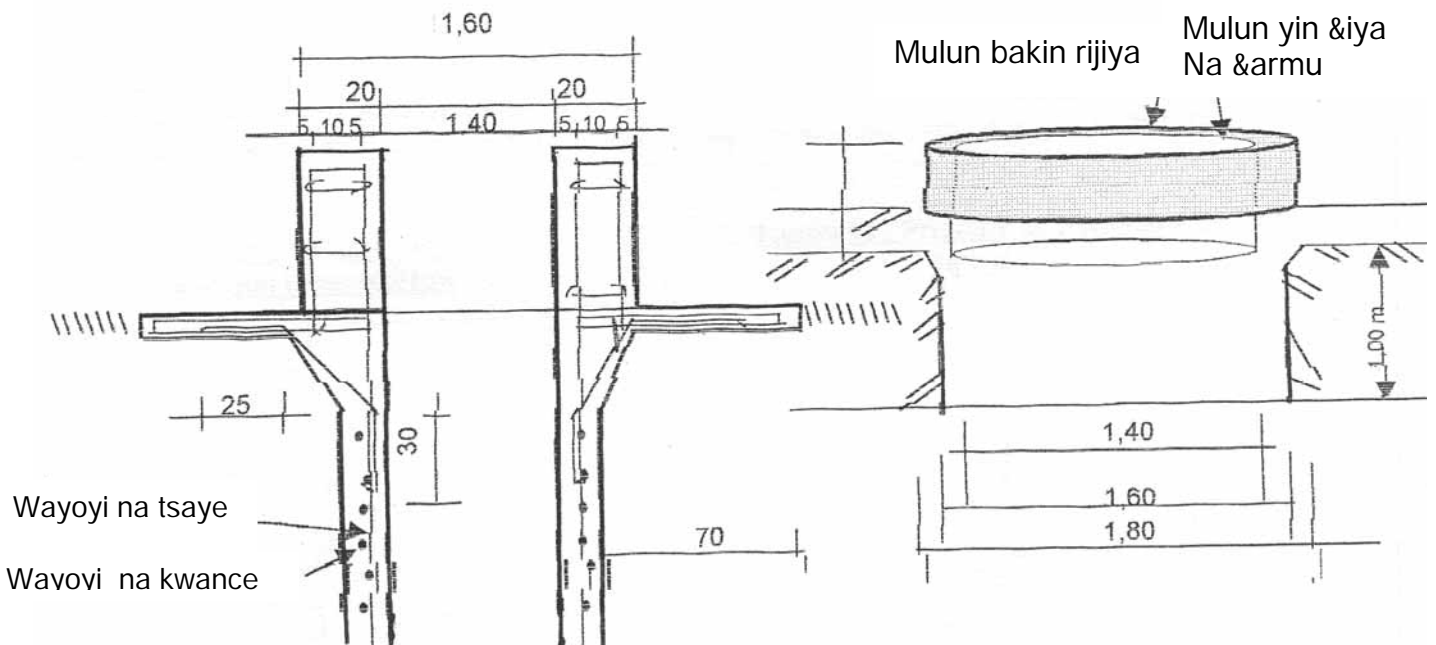
b) Ha\$a wayoyi na &armun ciki

Bayan an ha\$a wayoyi na &armun ciki, sai a aza mulu na \$arshe. Mulu bakinrijiya da na yin &iya na &armu.

Hoto na 6 :

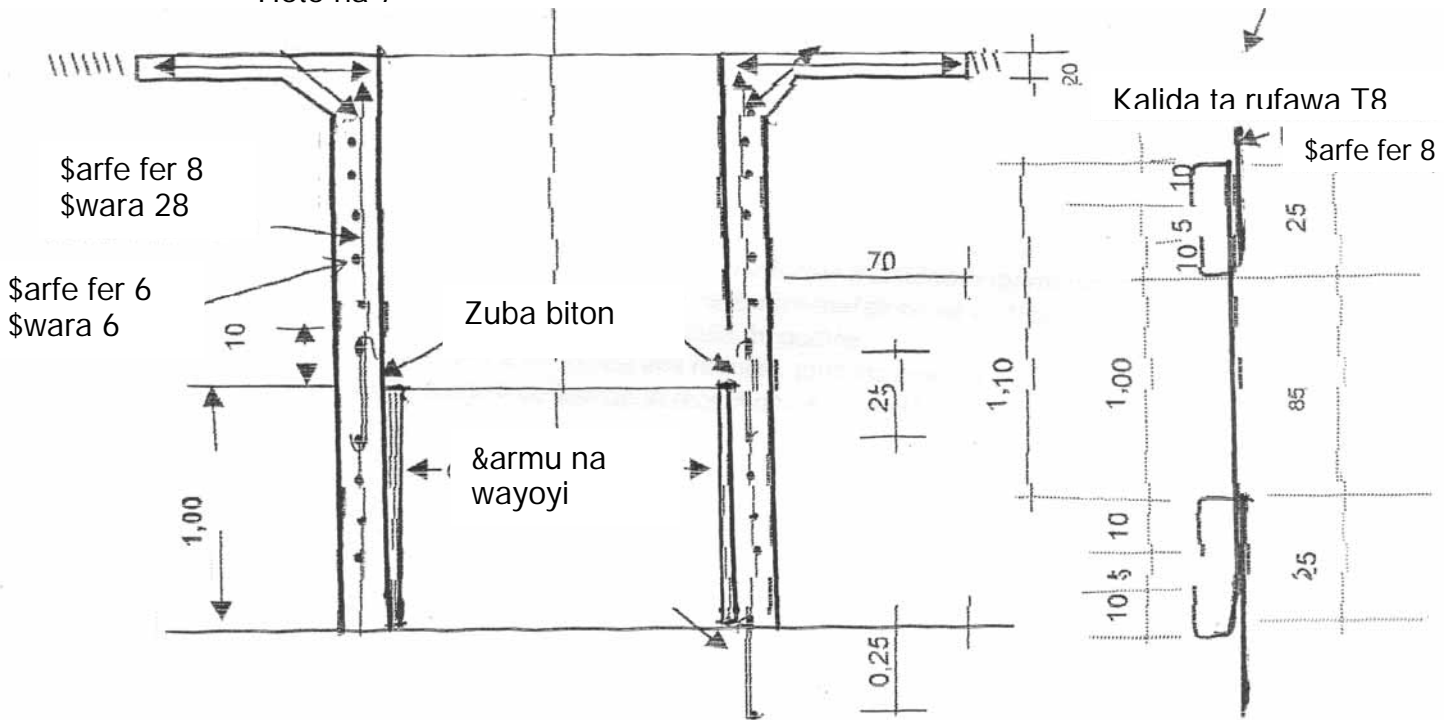
Ga yadda abun yake

azawar mulun biyun



Bayan an kwana 1, biton ya yi \$arhi, maginin rijiya sai ya ci gaba da gina m 1 sa'anana sai ya &arma waya. A karkata mulu ya yi \$asa don a kare wurin da aka gina don a zuba wani biton.

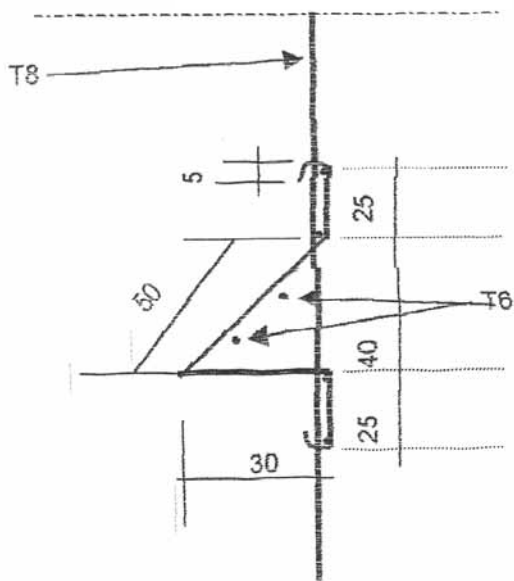
Hoto na 7



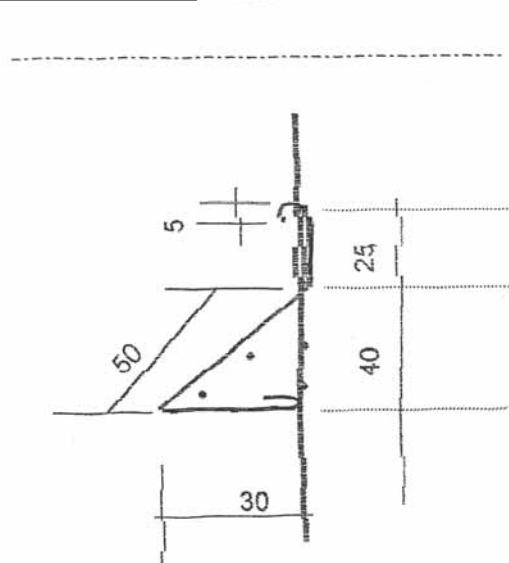
C) &armun \$arhe na &armun tsaka

An so duk metir 10 da aka yi a yi &armun tsaka don rijiya ta yi \$arhi

Hoto na 8 Ka'idodi &armun wayar &armun tsaka

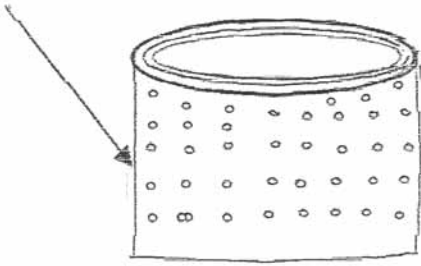


Hoto na 9 : Ka'idodin &arma waya na &armu na \$arhe

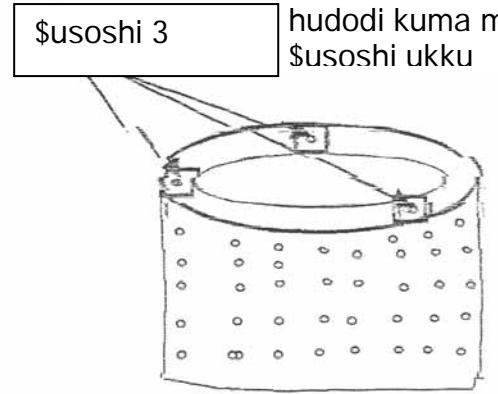


d) &armun wayoyi don yin &iya masu ha\$o ruwa

Hoto na 10 : &a mai hudodi masu fa&i

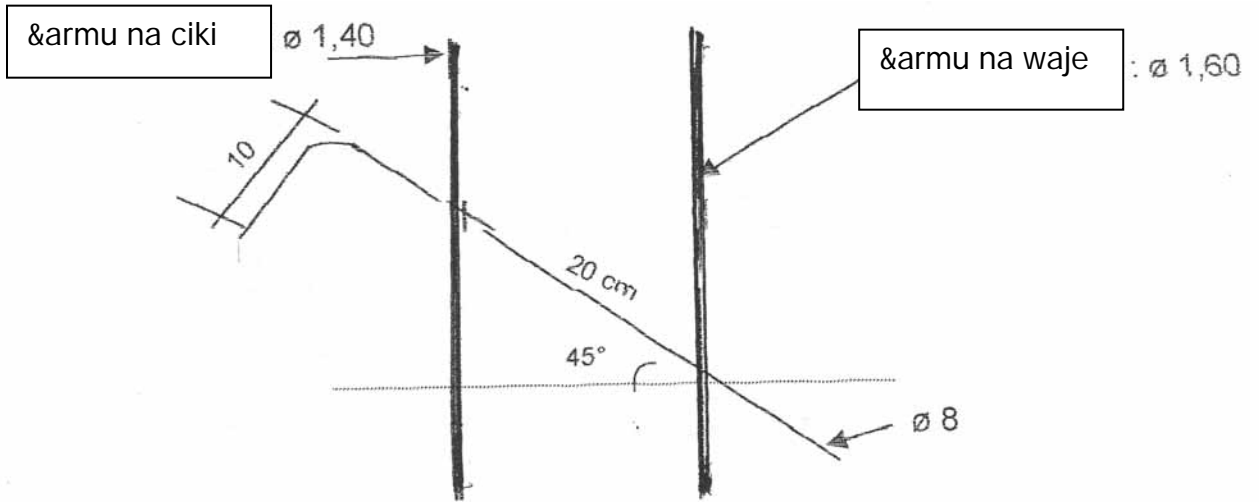


Hoto na 11 : &a mai hudodi kuma mai \$usoshi ukku



wa&annan &iya sue ha\$o ruwan da ke shiga rijiya ta hanyar hudodi nan yadda rairai ba ya iya shigowa. fa&in wa&annan irin &iya shi ne metir 1 kuma tsanwonsu metir 1.

Hoto na 12

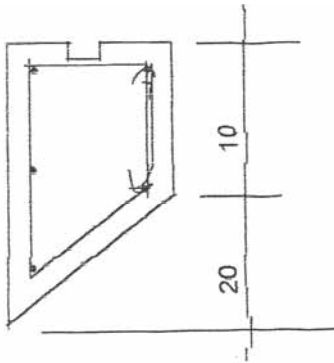


e) &arma waya ta yin jakin &iya :

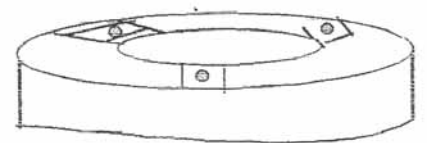
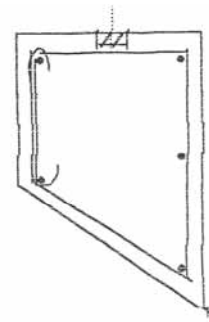
jakin &iya kala biyu suke:

- Akwai jakin &iya na can da (tsoho);
- Akwai jakin &iya na zamani mai \$usoshi.

Ga yadda aka misalta su ga wa&annan hotuna na 13 da 14

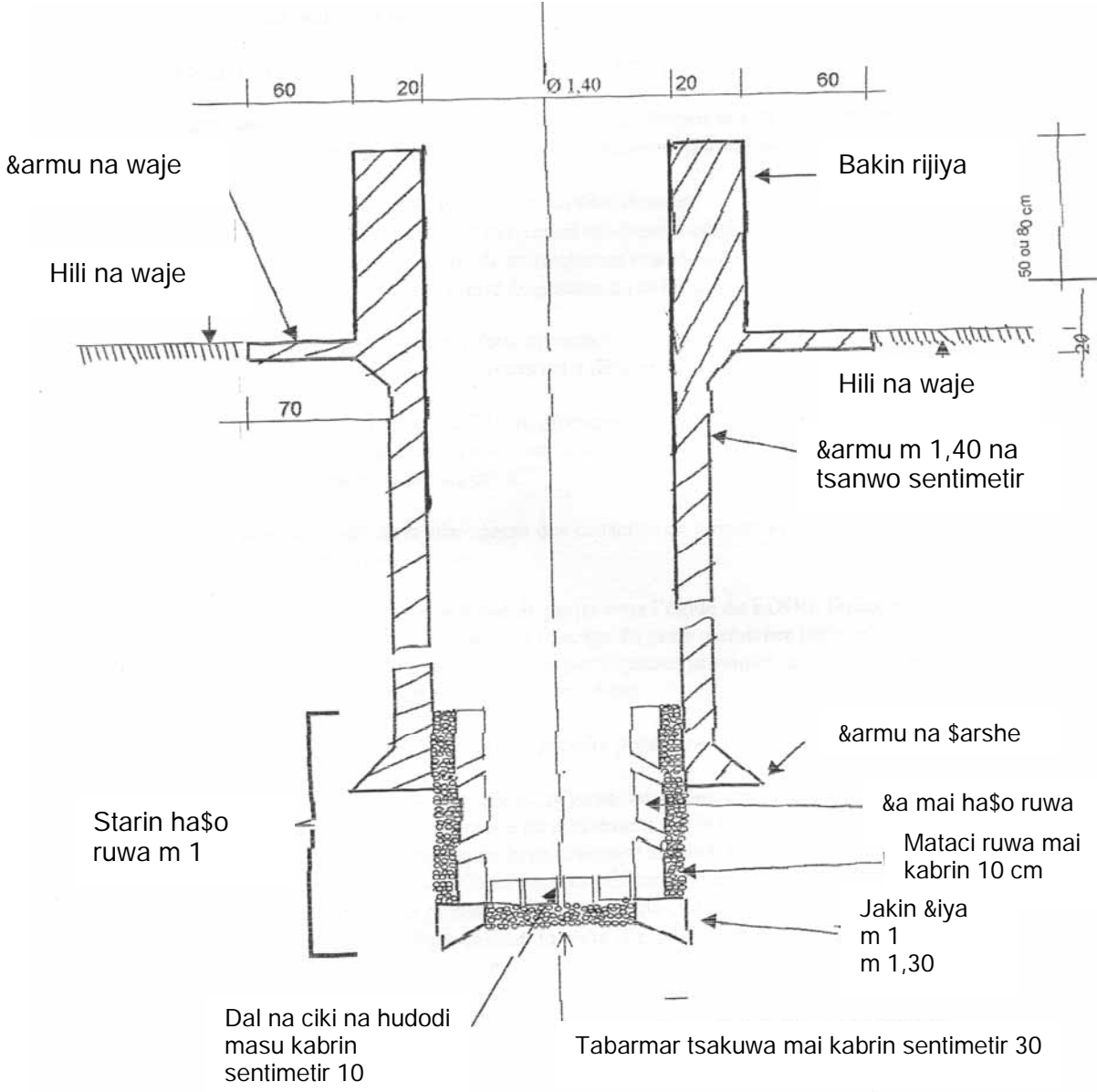


Hoto na 13 : Jakin &iya na da (tsoho)



Hoto na 14 : Jakin &iya sabo mai \$usa 3

Hoton rijiya ta sumunti mai hawa biyu





Daga waje ana tsinkayi can cikin rijiya, matacin ruwa na tsakuwa, &iya masu ha\$o ruwa da kuma bokiti na &ebo ruwa da kuma ruwan rijiya.



Rijiyar noman rani ta sumunti mai hawa biyu